



OPERATOR'S MANUAL

A Division of Snow Joe®, LLC

ELECTRIC EDGER + TRENCHER

12-AMP | 2-TOOLS-IN-1

Model SJEDGE7-RM

Form No. SJ-SJEDGE7-RM-880E-M-V1

THANKS FOR YOUR PURCHASE OF A REMANUFACTURED PRODUCT.

To make sure you get the most out of your product, be sure to register online at

sunjoe.com

to enjoy full product support.

PASTE UPC LABEL HERE



ELECTRIC EDGER + TRENCHER

12-AMP | 2-TOOLS-IN-1

Model SJEDGE7-RM

Form No. SJ-SJEDGE7-RM-880E-M-V1

IMPORTANT! Safety Instructions

All Operators Must Read These Instructions Before Use

Always follow these safety guidelines. Failure to do so may result in serious bodily injury or death.

General Safety

⚠️ WARNING! When using the electric edger + trencher, basic safety precautions should always be followed to reduce the risk of fire, electric shock, and personal injury. These include:

Work Area Safety

1. **Keep work area clean and well-lit** – Cluttered, dark areas invite accidents.
2. **Keep children, bystanders, and pets away** – All spectators, including pets, should be kept a safe distance away from the work area.
3. **Do not operate the electric edger + trencher in explosive atmospheres** – Such as in the presence of flammable liquids, gases, or dust. Power tools create sparks which may ignite the dust or fumes.
4. **Avoid dangerous environments** – Do not use appliances in damp or wet locations. Do not use in rain.

Personal Safety

1. **Stay alert** – Watch what you are doing. Use common sense. Do not operate the edger + trencher when you are tired, or under the influence of alcohol or drugs.
2. **Dress properly** – Do not wear loose clothing or jewelry. They can be caught in moving parts. Rubber gloves, long pants and substantial, non-skid footwear are recommended when working outdoors. Do not go barefoot or wear sandals. Wear protective hair covering to contain long hair.
3. **Avoid unintentional starting** – Do not carry plugged-in tool with finger on the trigger. Make sure the switch is off before plugging in the tool.
4. **Do not overreach** – Keep proper footing and balance at all times.

5. **Use personal protective equipment** – Always wear eye protection. Protective equipment such as dusk mask, non-skid safety shoes, hard hat, or hearing protection used for appropriate conditions will reduce personal injuries.

Tool Use and Care

⚠️ WARNING! Don't grasp the exposed cutting blades or cutting edges when picking up or holding the appliance.

1. **Do not force the tool** – It will perform better with less likelihood of personal or mechanical injury if it is used at the rate for which it was designed.
2. **Keep children and bystanders away** – Children and other spectators, including pets, should be kept at least 50 feet (15 meters) away from the work area.
3. **Use safety glasses and other safety equipment** – Use safety goggles or safety glasses with side shields, complying with applicable safety standards and, when needed, a face shield. Also use face or dust mask if operation is dusty. This applies to all persons in the work area. Also use a hard hat, hearing protection, gloves, safety shoes and dust collection systems when specified or required.
4. **Use the right tools** – Do not use tools for any job except that for which they are intended.
5. **Store idle tools indoors** – When not in use, tools should be stored indoors in a dry and high or locked-up place out of the reach of children.
6. **Do not abuse the cord** – Never carry the tool by the cord or yank the cord to disconnect it from the receptacle. Keep cord away from heat, oil, and sharp edges.
7. **Do not force the tool** – It will do the job better and with less likelihood of injury if it is used at the rate for which it was designed.
8. **Disconnect the tool** – Disconnect the appliance from the power supply when not in use, before servicing, and when changing accessories such as blades and the like.
9. **Maintain tools with care** – Keep cutting edge clean for best performance and to reduce the risk of injury. Follow instructions for lubricating and changing accessories. Inspect appliance cord periodically and if damaged, have it repaired by authorized service facility. Inspect extension cords periodically and replace if damaged. Keep handles dry, clean, and free from oil and grease.
10. **Check for damaged parts** – Before further use of the appliance, a guard or other part that is damaged should be carefully checked to determine that it will operate

properly and perform its intended function. Check for alignment of moving parts, binding of moving parts, breakage of parts, mounting, and any other conditions that may affect its operation. A guard or other part that is damaged should be properly repaired or replaced by an authorized service center unless otherwise indicated elsewhere in this manual.

- 11. Use of accessories and attachments** – The use of any accessory or attachment not recommended for use with this appliance could be hazardous. Note: Refer to the accessory section of this manual for further details.

Additional Warnings for Edger + Trencher

1. Keep guard in place.
2. Keep blade area clean.

⚠ DANGER! Risk of injury. Keep hands and feet away from blade and cutting area.

Important Warning:

When using the edger + trencher, stones, pieces of metal and other objects can be thrown out at high speed by the blade. The tool and guard are designed to reduce the danger. However, the following special precautions should be taken:

1. Wear safety glasses or other eye protection, gloves, long pants and substantial footwear.
2. Make sure that other persons and pets are at least 100 ft. (30.5 m) away.
3. Always stand to left side of main handle.
4. Before Landscaping or Trenching, check for buried electrical cables.
5. To reduce the risk of rebound (ricochet) injury, work going away from any nearby solid object such as a wall, steps, large stone, tree, etc. Use great care when working close to solid objects or into the wind, and, where necessary, do edging or trimming by hand.

Electrical Safety

1. Ground fault circuit interrupter (GFCI) protection should be provided on the circuit(s) or outlet(s) to be used for this electric edger + trencher. Receptacles are available having built-in GFCI protection and may be used for this measure of safety.
2. To reduce the risk of electric shock, this appliance has a polarized plug (i.e. one blade is wider than the other). Use this appliance only with a polarized UL-, CSA-, or ETL-listed extension cord recommended for outdoor, all-weather use, such as the Snow Joe® + Sun Joe® SJTW-A 14-gauge 50-foot extension cord with lighted end (Model PJEXT50-B). Visit sunjoe.com to purchase this extension cord online or, to order by phone, call 1-866-SNOWJOE (1-866-766-9563).

The appliance plug will fit into a polarized extension cord only one way. If the appliance plug does not fit fully into the extension cord, reverse the plug. If the plug

still does not fit, obtain a correct polarized extension cord. A polarized extension cord will require the use of a polarized wall outlet. The extension cord plug will fit into the polarized wall outlet only one way. If the plug does not fit fully into the wall outlet, reverse the plug. If the plug still does not fit, contact a qualified electrician to install the proper wall outlet. Do not modify the appliance plug, extension cord receptacle, or extension cord plug in any way.

3. To prevent electric shock, use only with an extension cord suitable for outdoor use, such as SW-A, SOW-A, STW-A, STOW-A, SJW-A, SJOW-A, SJTW-A, or SJTOW-A.

Before use, check that the extension cord is in good condition. When using an extension cord, make sure to use one heavy enough to carry the current your product will draw. An undersized cord will cause a drop in line voltage resulting in loss of power and overheating.

WARNING

Electric shock may cause SEVERE INJURY or DEATH. Heed these warnings:

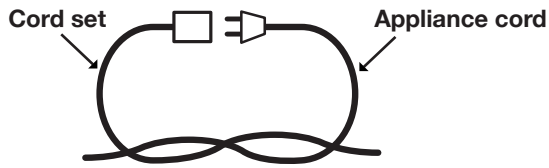
- Do not allow any part of the electric edger + trencher to make contact with water while it is in operation. If the appliance becomes wet while turned off, wipe dry before starting.
- Use only a UL-, CSA-, or ETL-rated extension cord for outdoor, all-weather use, such as the Snow Joe® + Sun Joe® SJTW-A 14-gauge 50-foot extension cord with lighted end (Model PJEXT50-B). Visit sunjoe.com to purchase this extension cord online or, to order by phone, call 1-866-SNOWJOE (1-866-766-9563).
- Do not use an extension cord over 100 ft (30 m).
- Do not touch the appliance or its plug with wet hands or while standing in water. Wearing rubber boots offers some protection.

EXTENSION CORD CHART

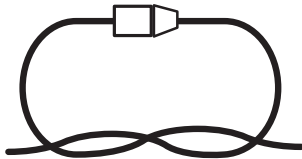
Extension Cord Length	Up to 50 ft (15 m)	+50 ft - 100 ft (+15 m - 30 m)
Wire Gauge (A.W.G.):	14	12

- To prevent the appliance cord from disconnecting from the extension cord during operation, use the onboard extension cord restraint hook and/or make a knot with the two cords as shown in Table 1.

Table 1. Method of Securing Extension Cord




(A) Tie cord as shown



(B) Connect plug and receptacle

- Do not abuse the cord. Never pull the edger + trencher by the cord or yank the cord to disconnect it from the receptacle. Keep the cord away from heat, oil, and sharp edges.

Double-Insulated Appliances

In a double-insulated appliance, two systems of insulation are provided instead of grounding. No grounding means is provided on a double-insulated appliance, nor should a means for grounding be added to the appliance. Servicing a double-insulated appliance requires extreme care and knowledge of the system, and should be performed only by qualified service personnel at an authorized Snow Joe® + Sun Joe® dealer. Replacement parts for a double-insulated appliance must be identical to the parts they replace. A double-insulated appliance is marked with the words “Double Insulation” or “Double Insulated.” The symbol  (square within a square) may also be marked on the appliance.



DOUBLE-INSULATED: GROUNDING NOT REQUIRED. WHEN SERVICING, USE ONLY IDENTICAL REPLACEMENT PARTS.









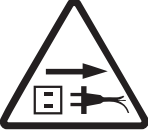


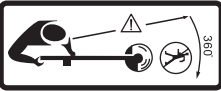
This electric edger + trencher is double-insulated, eliminating the need for a separate grounding system. Use only identical replacement parts. Read the instructions before servicing double-insulated appliances. Use this electric edger + trencher only as described in this manual.

Service

- If your electric edger + trencher requires service, contact an authorized Snow Joe® + Sun Joe® dealer or call the Snow Joe® + Sun Joe® customer service center at 1-866-SNOWJOE (1-866-766-9563). Only identical replacement parts should be utilized for repairs. This will ensure that the safety of the power tool is maintained.

Safety Symbols

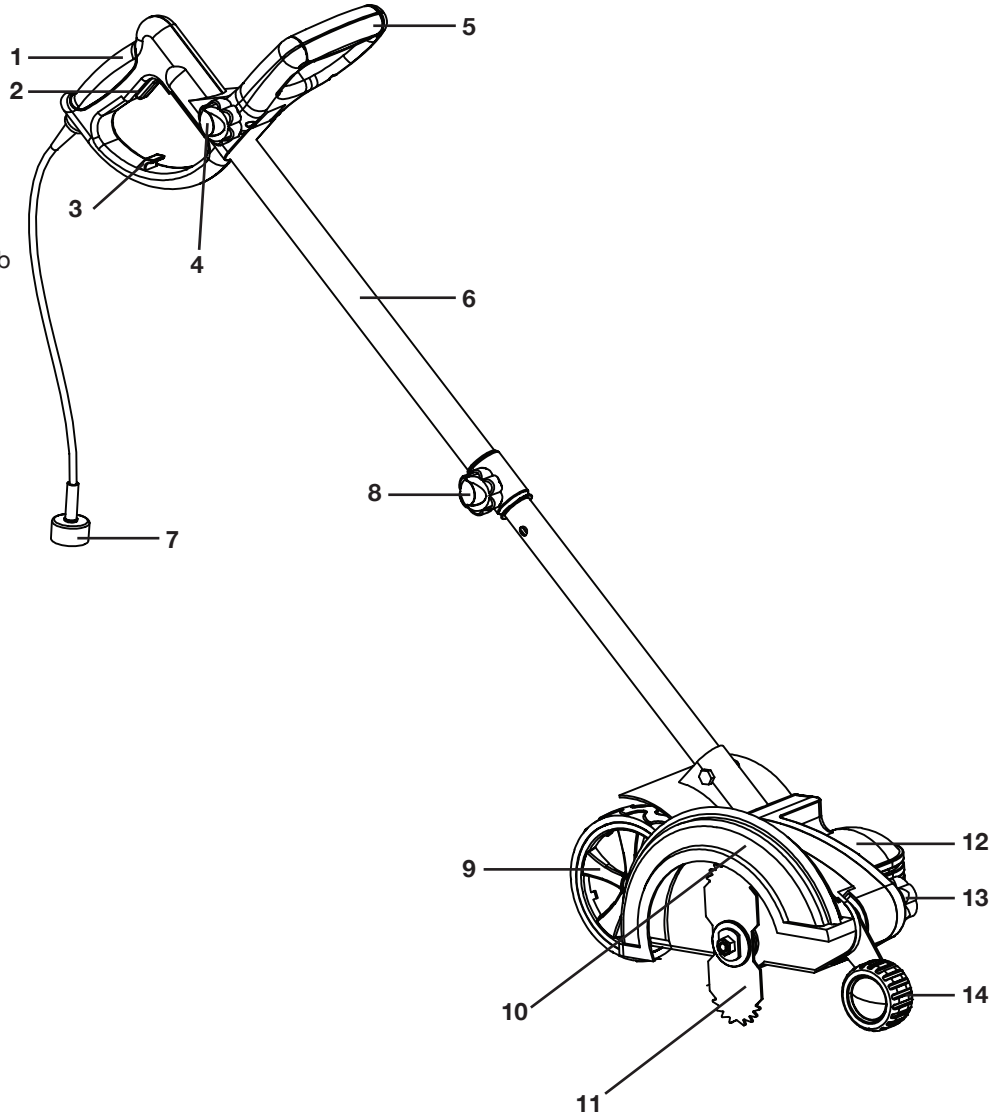
The following table depicts and describes safety symbols that may appear on this product. Read, understand, and follow all instructions on the machine before attempting to assemble and operate.

Symbols	Descriptions	Symbols	Descriptions
	READ THE OPERATOR'S MANUAL(S) – Read, understand, and follow all instructions in the user manual(s) before attempting to assemble and operate.		Keep bystanders and children a safe distance away.
	SAFETY ALERT – Indicates a precaution, a warning, or a danger.		WARNING! Do not expose the unit to rain or wet conditions.
	WEAR EYE AND HEARING PROTECTION – For protection against injury, wear ear defenders and safety goggles.		Beware of flying objects and debris.
	Wear safety gloves during use to protect hands.		Wear non-slip footwear that will protect your feet and improve your footing on slippery surfaces.
	Immediately remove the plug from the mains if the power cable is damaged, frayed, or entangled. Always keep the power cable away from heat, oil and sharp edges.		WARNING! Turn the machine OFF and disconnect it from the power supply before inspecting, cleaning, changing accessories, or conducting any other maintenance task.
	DOUBLE INSULATION – When servicing, use only identical replacement parts.		DANGER! Beware of thrown objects to bystanders. Keep bystanders at least 100 ft (30.5 m) away from the machine.

Know Your Electric Edger + Trencher

Read the owner’s manual and safety instructions carefully before operating the electric edger + trencher. Compare the illustration below to the electric edger + trencher in order to familiarize yourself with the location of the various controls and adjustments. Save this manual for future reference.

- 1. Handle
- 2. Trigger switch
- 3. Extension cord restraint hook
- 4. Auxiliary handle knob
- 5. Auxiliary handle
- 6. Telescopic shaft
- 7. Appliance cord
- 8. Telescopic shaft adjustment knob
- 9. Back wheel (2)
- 10. Blade cut cover
- 11. Steel blade
- 12. Motor housing
- 13. Height adjustment knob
- 14. Front guide wheel



Technical Data

Rated Voltage	120 V ~ 60 Hz	Telescopic Shaft	2.5 ft to 2.9 ft (76.5 cm to 88.5 cm)
Power	12A	Wheel Size.....	Back wheel: 6.3 in. (16 cm) Front guide wheel: 2.9 in. (7.4 cm)
No Load Speed	4500 rpm	Weight	14.8 lbs (6.7 kg)
Blade Diameter.....	7.3 in. (18.5 cm)		
Adjustable Cutting Depth	0.43 in. 0.75 in. 1.2 in. (11 mm 19 mm 30 mm)		
Cutting Width	0.1 in. (2.5 mm)		

Unpacking

Carton Contents

- Edger + trencher motor housing with lower shaft bolt and nut
- Telescopic shaft adjustment knob and bolt
- Auxiliary handle
- Auxiliary handle knob + bolt
- Wrench
- Spanner
- Manual with registration card

1. Carefully remove the electric edger + trencher and check to see that all of the above items are supplied.
2. Inspect the product carefully to make sure no breakage or damage occurred during shipping. If you find damaged or missing parts, DO NOT return the unit to the store. Please call the Snow Joe® + Sun Joe® customer service center at 1-866-SNOWJOE (1-866-766-9563).

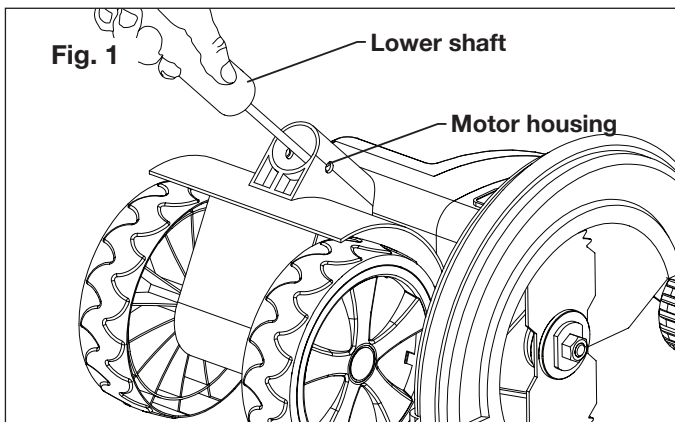
NOTE: Do not discard the shipping carton and packaging material until you are ready to use the electric edger + trencher. The packaging is made of recyclable materials. Properly dispose of these materials in accordance with local regulations or save the packaging for long-term product storage.

IMPORTANT! The equipment and packaging material are not toys. Do not let children play with plastic bags, foils, or small parts. These items can be swallowed and pose a suffocation risk!

Assembly

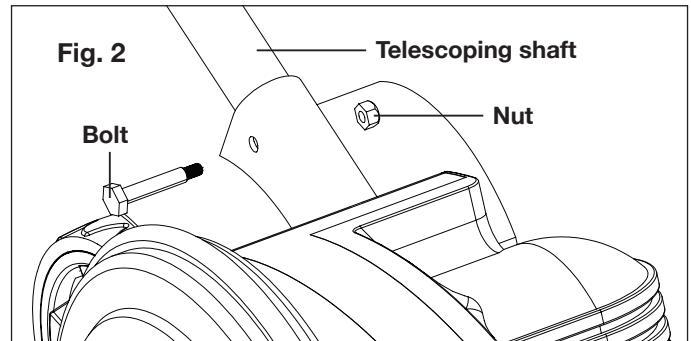
Assembling the Handle

1. Slide the lower shaft down into the motor housing and align the screw holes (Fig. 1).



2. Secure the telescopic shaft with the bolt and nut (Fig. 2).
NOTE: When you first insert the bolt it may be necessary to wiggle it carefully to get it past the jacketed wire inside the tube.

CAUTION! NEVER use a sharp object to move jacketed wires out of the way.

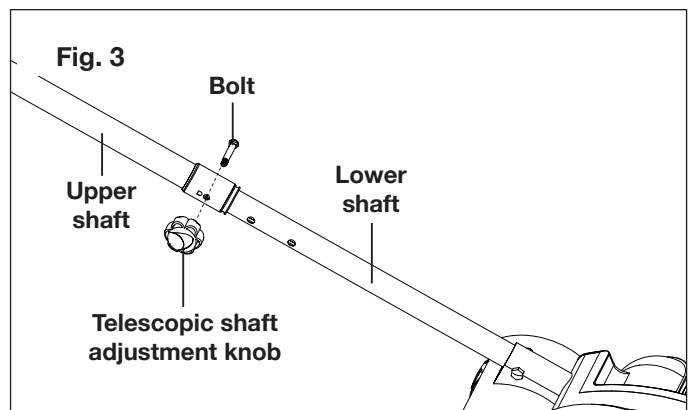


Adjusting the Telescopic Shaft

The telescopic shaft can be set at three different heights.

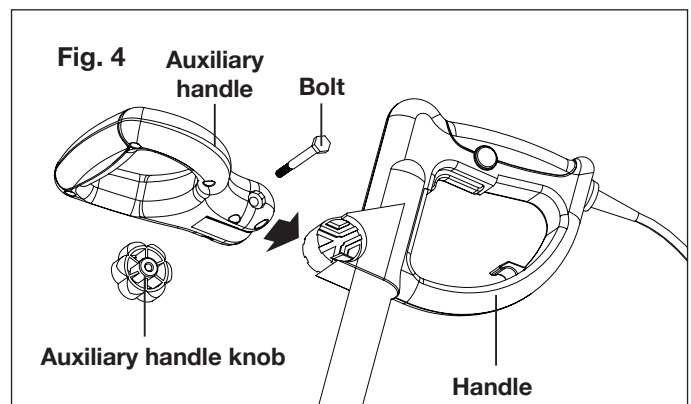
1. To set the height for your comfort, slide the telescopic shaft up to the level required using one of the three holes provided.
2. Insert the bolt through the hole and tighten the knob fully locking the two shafts in place (Fig. 3).

NOTE: When first assembling the shaft to the trencher + edger, the shafts should be pulled fully up to allow the cord to sit correctly in the tubes and motor housing.



Assembling Auxiliary Handle

1. Assemble the auxiliary handle onto the main handle by inserting the bolt into the auxiliary handle and tightening the handle with the auxiliary handle knob provided (Fig. 4).



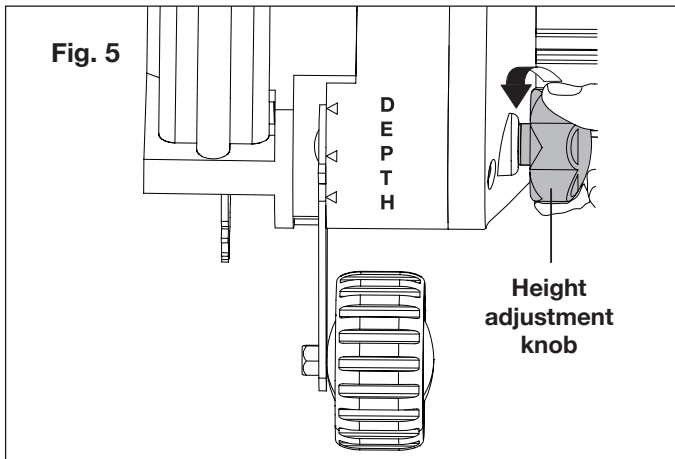
Operation

Cutting Depth Adjustment

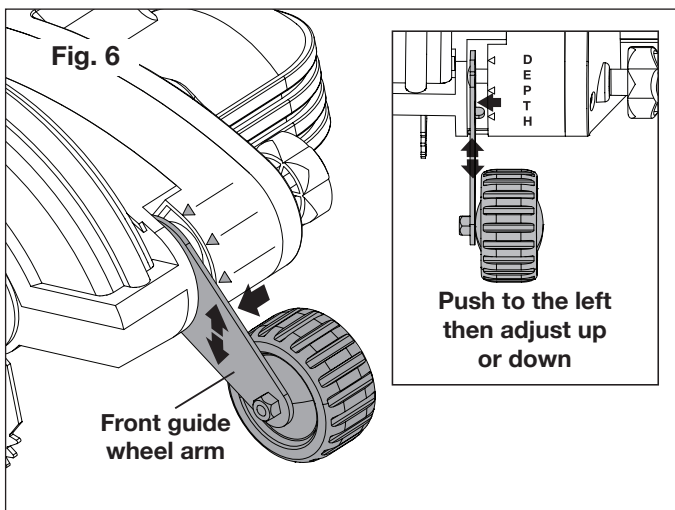
The front guide wheel can be adjusted to allow a deeper or shallower cut, and to increase the life of the blade. The edger can be adjusted to edge at three different depths.

⚠ DANGER! Risk of personal injury. Never attempt to adjust the depth while the edger is running. Always unplug edger before making any adjustments.

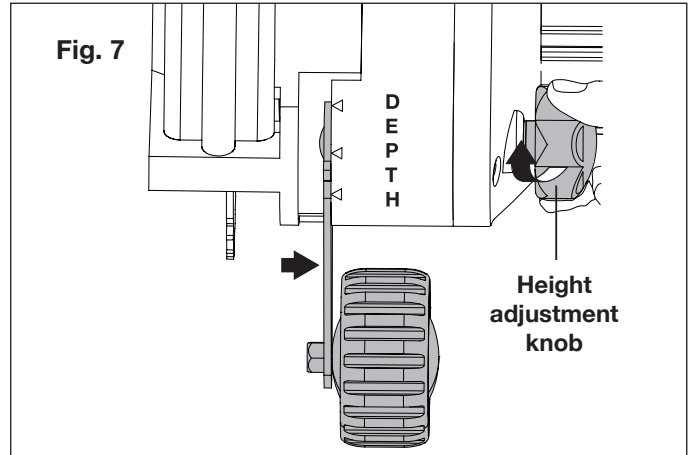
1. To adjust the depth of the cut, loosen the height adjustment knob on the front of the edger + trencher (Fig. 5).



2. Push front guide wheel to the left, then raise or lower the arm to the desired depth setting (Fig.6).



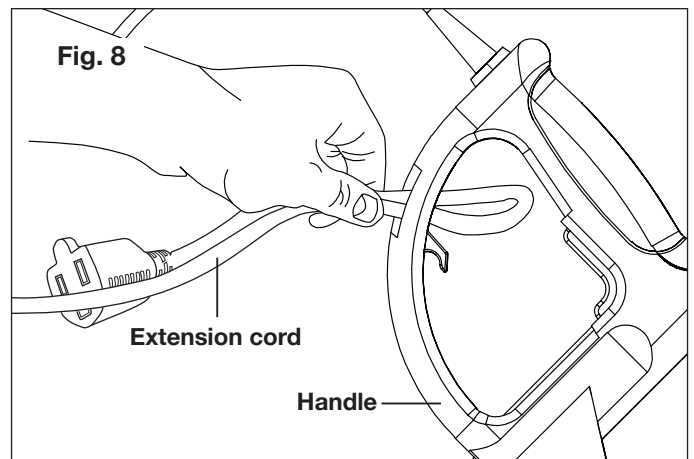
3. Push in the front guide wheel arm, check to ensure the front guide wheel arm has located into any of the pre-allocated positions. Ensure the head of the bolt securing the front guide wheel arm is resting flat on the surface of the wheel arm (Fig. 7).
4. Retighten the height adjustment knob securely (Fig. 7).



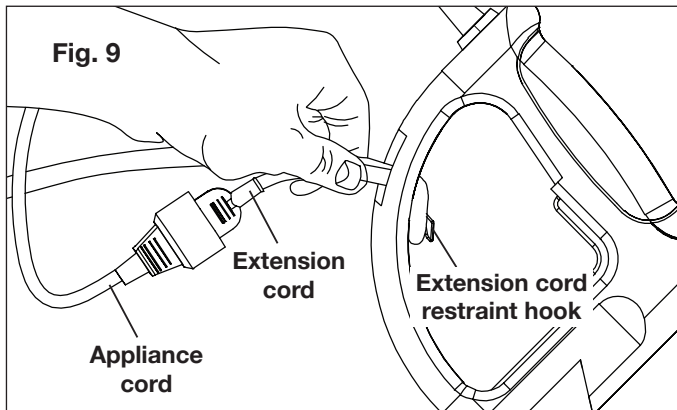
Operation

Securing the Extension Cord

1. Make a loop with the extension cord (Fig. 8).
2. Insert the loop through the opening in the back of the handle (Fig. 8).



- Secure the loop onto the extension cord restraint hook then connect the extension cord to the appliance cord (Fig. 9).



CAUTION! Always wear eye protection.

Cord Routing

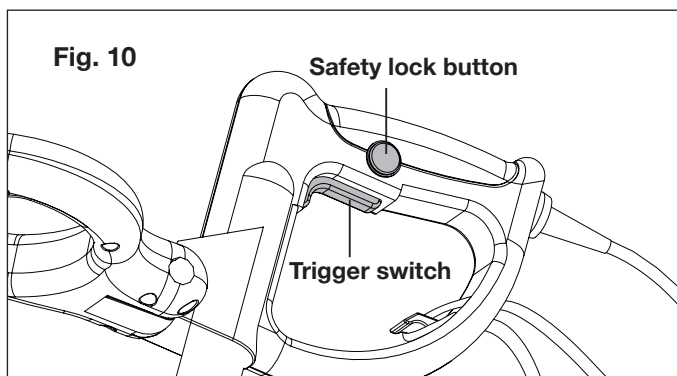
- Always keep the extension cord away from the area being edged. Make sure the extension cord is behind the edger.
- If you cut or damage the cord, unplug it immediately. After cord is unplugged, inspect it for damage and replace cord if necessary.

Starting + Stopping

The electric edger + trencher is fitted with a safety lock button and a trigger switch to prevent accidental operation of the tool.

CAUTION! The edger + trencher blade coasts after the unit is turned off. Keep hands away from blade.

- Before you start the unit, tilt the edger + trencher on back wheel to ensure blade is not in contact with the work surface.
- Hold the edger + trencher firmly with both hands before turning on.
- To turn the edger + trencher ON, press and hold the safety lock button with your thumb, then squeeze the ON/OFF trigger switch with your fingers. Once the machine powers on, you can release the safety button and proceed with operation (Fig. 10).



- To switch OFF, release the ON/OFF trigger switch (Fig. 10).

CAUTION! Do not force the trigger switch without first pressing the safety lock button.

CAUTION! Do not tie or jam the trigger switch in the ON position. The trigger switch is designed to be held in the ON position by your hand only.

WARNING! Take care when you turn the edger + trencher ON that the cutter is in a safe position to operate.

NOTE: When a switch is released, a short spark may appear from the engine. This is normal, and not a cause for concern. The spark is caused by the braking system that is built into the product.

CAUTION! If the edger + trencher becomes jammed or stalled on a branch, sticks, or other foreign object, release the trigger immediately. Failure to stop the unit when the unit jams may cause excessive damage to the unit's motor. Always wear eye protection when using the unit.

Edging Techniques

NOTE: The edger + trencher is a major appliance and should not be operated simultaneously with other major appliances on the same household circuit.

CAUTION! Make sure that other persons and pets are at least 100 ft (30.5 m) away.

WARNING! Do not use the edger + trencher on wet growth or in the rain.

CAUTION! To prevent injury, keep hands away from trigger when clearing jams. To prevent injury, do not use the edger + trencher with any damaged parts.

- Set cutting depth. Refer to Cut Depth Adjustment instructions on v 7.
- To avoid kickback of the edger, tilt the handle down so the blade is above the ground.
- Turn switch on and allow blade to spin without moving the tool.
- Slowly lift the handle to lower the blade. Then, begin to move tool forward slowly, being careful not to strike the edge of the paved surface.

For the first edging each season, it is best to move forward slowly because grass is thickest then. Subsequent edging will be completed more rapidly.

If the tool slows down, back it up slightly until the blade returns to normal speed. During edging some sparks may be generated from hitting stones, this is normal. Do not attempt to edge when the grass or soil is wet or moist - for electrical safety and to prevent clogging of the blade chamber.

⚠️ WARNING! If you must edge under conditions that cause the blade chamber to become clogged, release trigger, and wait for blade to come to complete stop! Unplug the tool and remove clogged material with a stick. To continue to operate the tool in a clogged condition will seriously overload the motor.

⚠️ CAUTION! Do not attempt to unclog the blade chamber by dropping or tapping the tool on the ground. This can damage the unit. Keep hands clear of and blade when cleaning as these wear to a very sharp point during edging.

Landscaping + Trenching

Before landscaping or trenching, inspect and ensure there are no exposed or buried cables or pipes or other objects that may create a hazard or interfere with operating the edger.

Set depth to only that required for the job, do not overload, if tool slows, pull back slightly and wait until the blade returns to normal speed.

Application

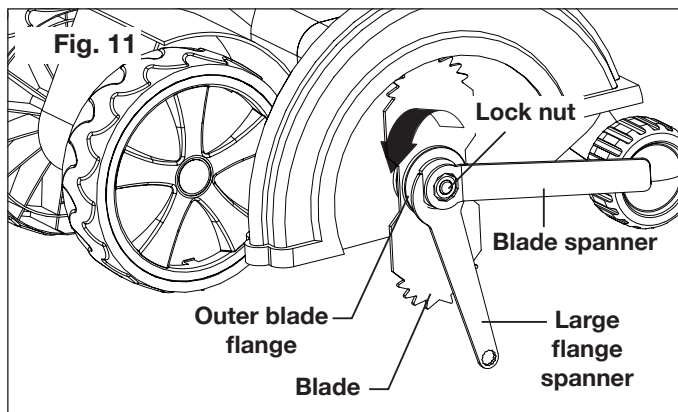
Changing the Blade

⚠️ WARNING! Prior to attempting to perform any maintenance which includes the changing of the blade, ensure the power supply cord has been totally disconnected from the main supply.

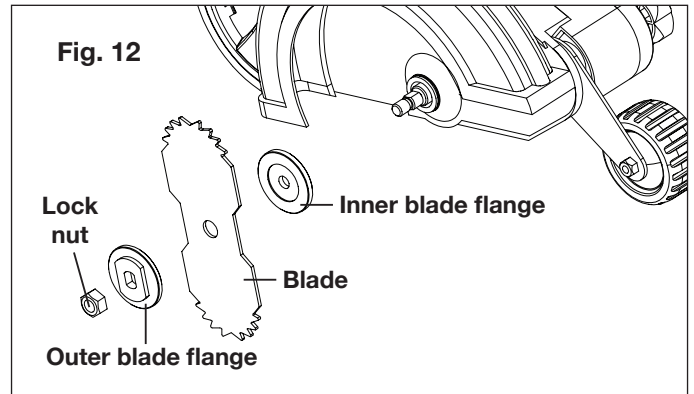
⚠️ WARNING! Wait for blade to come to complete stop!

Position the edger + trencher on its side with the blade upwards. Ensure the surface you are working on is clean and foreign particles (stones, etc.) cannot enter the air intake slots of the motor housing.

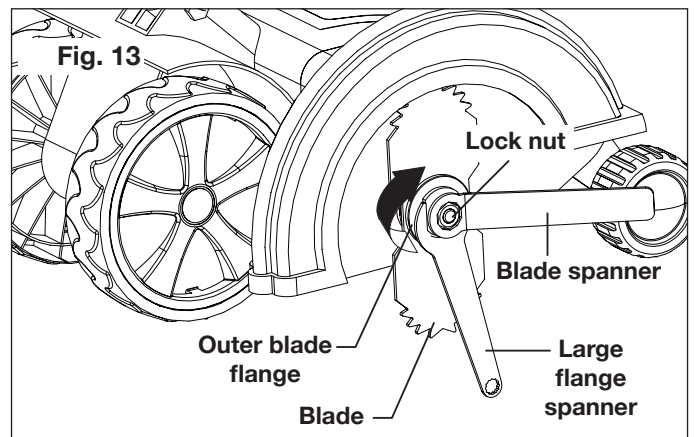
1. Place the large flange spanner over the outer blade flange (Fig. 11).
2. Fit the blade spanner over the blade lock nut and while holding firmly the spanner on the blade flange, rotate the locking nut in counterclockwise direction (Fig. 11).
3. Remove the lock nut counterclockwise along with the outer flange and blade (Fig. 11).



4. There is no need to remove the inner flange, although on reassembly the area of the inner flange must be free of foreign particles (dirt, etc.).
5. To reassemble with a new blade fit the inner flange on to the spindle, fit the replacement blade and secure the outer flange on to the spindle and blade (Fig. 12).
6. Ensure the assembly is correct and the blade is correctly orientated (Fig. 12).



7. With the spanner fitted to the outer flange, fit the locking nut and tighten with the blade spanner in a clockwise direction (Fig. 13).



8. After the blade is secure, rotate the blade by hand to ensure the blade is not making contact with any components of the edger.
9. Blade wear is expected whenever you use your edger.
10. The blade wears quite quickly when edging along concrete paths. This does not affect the efficiency of the edger and is expected due to the aggressive abrasion of concrete on steel.

NOTE: To increase blade life, keep initial cutting depth at minimum and increase depth setting as blade wears.

Maintenance

IMPORTANT: To assure product safety and reliability, repairs, maintenance and adjustment should be performed by authorized service centers or other qualified service organizations. Use only identical replacement parts.

Inspect and thoroughly clean your edger + trencher at the beginning of each edging season for longer life and better performance.

⚠ WARNING! Before performing any maintenance task, cut off the electric power supply by disconnecting the plug from the extension cord.

⚠ WARNING! Always wear protective gloves during maintenance tasks. Do not carry out maintenance when the engine is running or hot.

⚠ WARNING! The use of any accessory not recommended for use with this tool could be hazardous.

- Regular cleaning and maintenance of you edger + trencher will ensure efficiency and prolong the life of your machine.
- To obtain the best cutting results, the blades must be cleaned and oiled regularly. Remove dirt with a brush and oil lightly.
- Use biodegradable oil.
- Clean the housing and other parts with a mild cleanser and a moist cloth. Never use aggressive cleansers or solvents.
- Use only mild soap and damp cloth to clean the tool. Never let any liquid get inside the tool; never immerse any part of the tool into a liquid.
- For repairs which have not been explained in these instructions, contact an authorized service center at 1-866-SNOWJOE (1-866-766-9563).

Disposal

Should your appliance need replacement after extended use, do not dispose of it with the household refuse, but in an environmentally safe way.



Waste produced by electrical machine items should not be handled like normal household rubbish. Please recycle where recycle facilities exist. Check with your local authority or retailer for recycling advice.

Storage

⚠ WARNING! Be sure the tool is unplugged.

Remove and clean any debris from the outside of the edger + trencher and inside of guard before storage. See maintenance section. If necessary, the edger + trencher may be stored by hanging on a hook by its handle.

⚠ CAUTION! Do not hang edger + trencher on the switch trigger or power cord!

NOTE: Do not store the tool on or adjacent to fertilizers or chemicals. Such storage can cause rapid corrosion.

Preventing Corrosion

- Fertilizers and other garden chemicals contain agents that greatly accelerate the corrosion of metals. If you use the tool in areas where fertilizers or chemicals have been used, the tool should be cleaned immediately afterwards.
- Wipe all exposed parts with a damp cloth. You may lubricate only metal parts with a light petroleum based oil.
- When cleaning, DO NOT immerse tool in water or squirt it with a hose.

Service + Support

If your Sun Joe® SJEDGE7-RM Electric Edger + Trencher requires service or maintenance, please call the Snow Joe® + Sun Joe® customer service center at 1-866-SNOWJOE (1-866-766-9563).

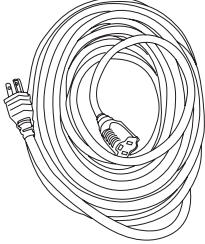
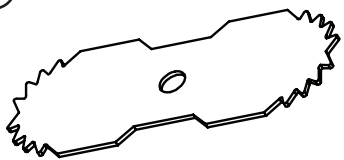
Model + Serial Numbers

When contacting the company, reordering parts, or arranging service from an authorized dealer, you will need to provide the model and serial numbers, which can be found on the decal located on the housing of the unit. Copy these numbers into the space provided below.

Record the following numbers from the housing or handle of your new product:	
Model #:	
S J E D G E 7 - R M	
Serial #:	

Optional Accessories

⚠ WARNING! ALWAYS use only authorized Snow Joe® + Sun Joe® replacement parts and accessories. NEVER use replacement parts or accessories that are not intended for use with this tool. Contact Snow Joe® + Sun Joe® if you are unsure whether it is safe to use a particular replacement part or accessory with your tool. The use of any other attachment or accessory can be dangerous and could cause injury or mechanical damage.

Accessories	Item	Model
<p>①</p> 	<p>Snow Joe® + Sun Joe® SJTW-A 14-gauge 50-foot extension cord with lighted end</p>	<p>PJEXT50-B</p>
<p>②</p> 	<p>Replacement Blade</p>	<p>SJEDGE7-RB</p>

NOTE: Accessories are subject to change without any obligation on the part of Snow Joe® + Sun Joe® to provide notice of such changes. Accessories can be ordered online at sunjoe.com or via phone by contacting the Snow Joe® + Sun Joe® customer service center at 1-866-SNOWJOE (1-866-766-9563).



SNOW JOE® + SUN JOE® REFURBISHED GOODS WARRANTY

GENERAL CONDITIONS:

Snow Joe® + Sun Joe® operating under Snow Joe®, LLC warrants this refurbished product to the original purchaser for 90 days against defects in material or workmanship when used for normal residential purposes. If a replacement part or product is needed, it will be sent free of charge to the original purchaser except as noted below.

The duration of this warranty applies only if the product is put to personal use around the household. It is the owner's responsibility to correctly perform all maintenance and minor adjustments explained in the owner's manual.

HOW TO OBTAIN YOUR REPLACEMENT PART OR PRODUCT:

To obtain a replacement part or product, please visit snowjoe.com/help or email us at help@snowjoe.com for instructions. Please be sure to register your unit beforehand to speed up this process. Certain products may require a serial number, typically found on the decal affixed to the housing or guard of your product. All products require a valid proof of purchase.

EXCLUSIONS:

- Wearing parts like belts, augers, chains and tines are not covered under this warranty. Wearing parts can be purchased at snowjoe.com or by calling 1-866-SNOWJOE (1-866-766-9563).
- Batteries are covered in full for 90-days from the date of purchase.

Snow Joe® + Sun Joe® may from time to time change the design of its products. Nothing contained in this warranty shall be construed as obligating Snow Joe® + Sun Joe® to incorporate such design changes into previously manufactured products, nor shall such changes be construed as an admission that previous designs were defective.

This warranty is intended to cover product defects only. Snow Joe®, LLC is not liable for indirect, incidental or consequential damages in connection with the use or misuse of the Snow Joe® + Sun Joe® products covered by this warranty. This warranty does not cover any cost or expense incurred by the purchaser in providing substitute equipment or service during reasonable periods of malfunction or non-use of this product while waiting for a replacement part or unit under this warranty. Some states do not allow exclusions of incidental or consequential damages so the above exclusions may not apply in all states. This warranty may give you specific legal rights in your state.

HOW TO REACH US:

We're here to help Monday through Friday from 9AM to 7PM EST and Saturday and Sunday 9AM to 4PM. You can reach us at 1-866-SNOWJOE (1 866-766-9563), online at snowjoe.com, via email at help@snowjoe.com or tweet us @snowjoe.

EXPORTS:

Customers who have purchased Snow Joe® + Sun Joe® products exported from the United States and Canada should contact their Snow Joe® + Sun Joe® distributor (dealer) to obtain information applicable to your country, province or state. If for any reason, you are not satisfied with the distributor's service, or if you have difficulty obtaining warranty information, contact your Snow Joe® + Sun Joe® seller. If in the event your efforts are unsatisfactory, please reach out to us directly.



A series of 20 horizontal lines for writing, spaced evenly down the page.



A series of horizontal lines for writing, consisting of 20 lines spaced evenly down the page.



sunjoe.com